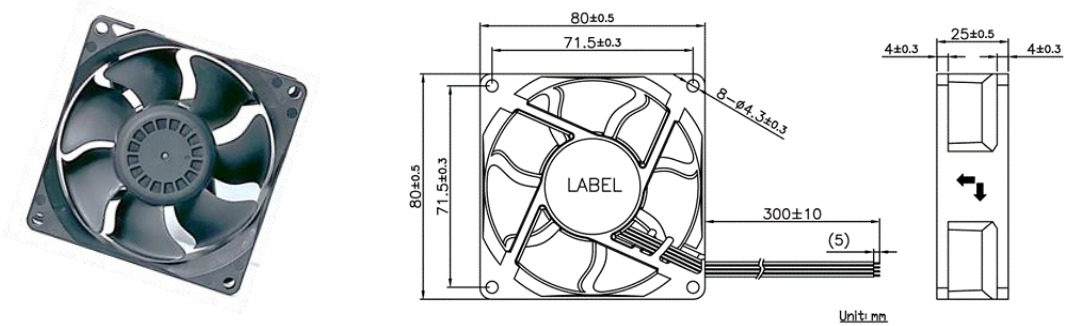
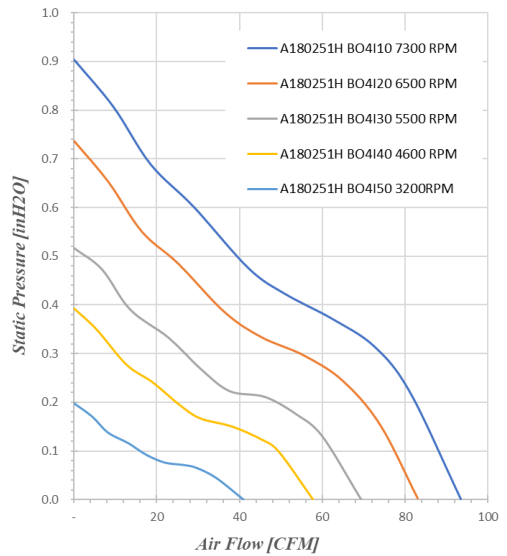


iWater Fan 80*80*25 MM IP68 Rating Dustproof & Waterproof Fan Series

DIMENSION DRAWING



Housing : Plastic (UL 94V-0)
 Impeller : Plastic (UL 94V-0)
 Bearing : Ball bearing
 Lead Wires : UL10368 AWG26 OR Equivalent
 Mass : 110g



產品別	Model No.		Control Type	Bearing Type	Rated Voltage	Operating Voltage Range	Operating Temp.	Speed	Input Current	Input Power	Maximum Air Flow		Maximum Air Pressure		Noise
					VDC	VDC	°C	R.P.M	Amp	Watt	CFM	m ³ /min	inH2O	mmH2O	dB(A)
8025 12V IP68系列	A180251H	BO4110	+/-FG/PWM	Ball	12	7~13.8	-10~70	7300	1.42	17.1	93.5	2.65	0.90	22.9	57.8
	A180251H	BO4120	+/-FG/PWM	Ball	12	7~13.8	-10~70	6500	0.93	11.1	80.2	2.27	0.72	18.3	54.8
	A180251H	BO4130	+/-FG/PWM	Ball	12	7~13.8	-10~70	5500	0.61	7.3	67.7	1.92	0.55	13.9	47.3
	A180251H	BO4140	+/-FG/PWM	Ball	12	7~13.8	-10~70	4600	0.36	4.3	60.1	1.70	0.39	10.0	42.0
	A180251H	BO4150	+/-FG/PWM	Ball	12	7~13.8	-10~70	3200	0.12	1.4	41.2	1.17	0.20	5.2	32.8
8025 24V IP68系列	A180252H	BO4110	+/-FG/PWM	Ball	24	14~27.6	-10~70	7300	0.71	17.1	93.5	2.65	0.90	22.9	57.8
	A180252H	BO4120	+/-FG/PWM	Ball	24	14~27.6	-10~70	6500	0.46	11.1	80.2	2.27	0.72	18.3	54.8
	A180252H	BO4130	+/-FG/PWM	Ball	24	14~27.6	-10~70	5500	0.30	7.3	67.7	1.92	0.55	13.9	47.3
	A180252H	BO4140	+/-FG/PWM	Ball	24	14~27.6	-10~70	4600	0.18	4.3	60.1	1.70	0.39	10.0	42.0
	A180252H	BO4150	+/-FG/PWM	Ball	24	14~27.6	-10~70	3200	0.06	1.4	41.2	1.17	0.20	5.2	32.8